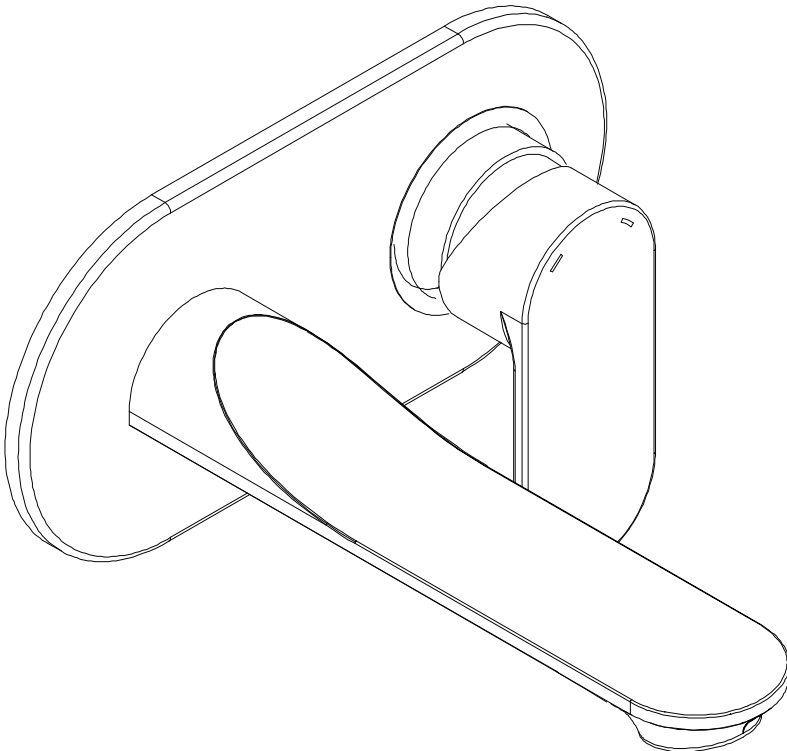
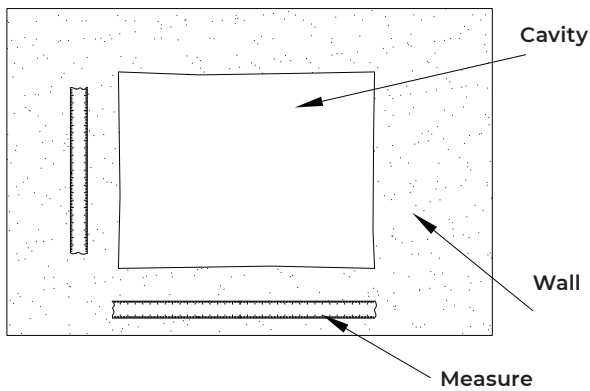


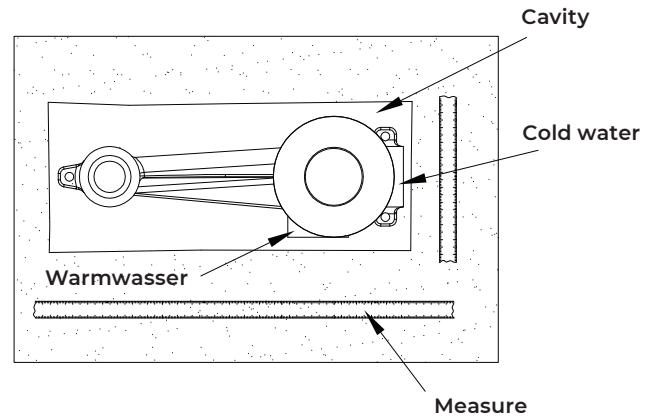
OLTENS



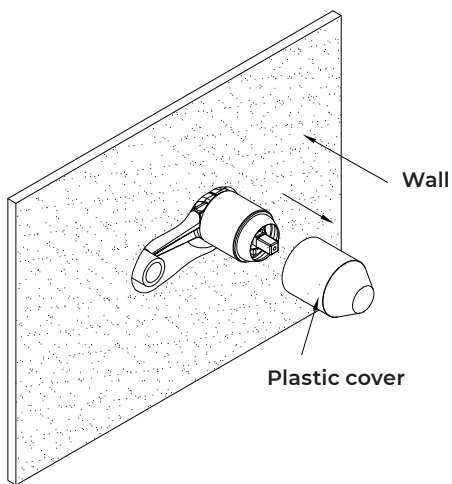
Concealed basin tap - fitting guide



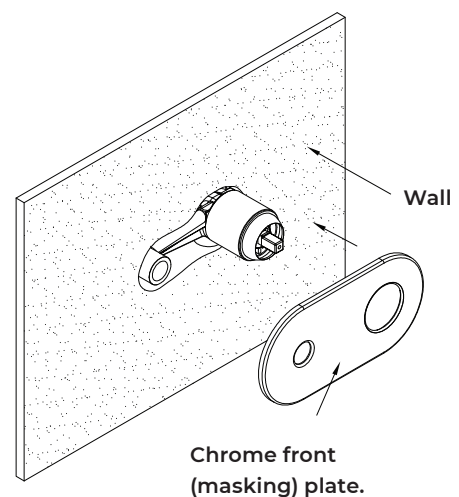
1. Make a cavity with an approximate size: 180 mm x 80 mm x 46-58 mm (length x width x depth)



2. Place the concealed part of the tap in the wall and connect the hoses, next make sure hot and cold is connected correctly. Stabilise the tap.

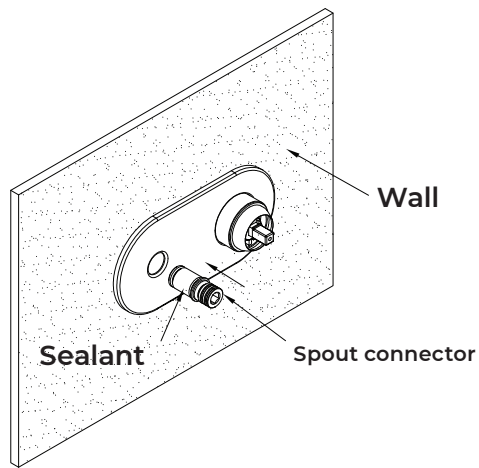


3. Fill the cavity and make good the wall to complete the tiling. Remove the plastic covers.

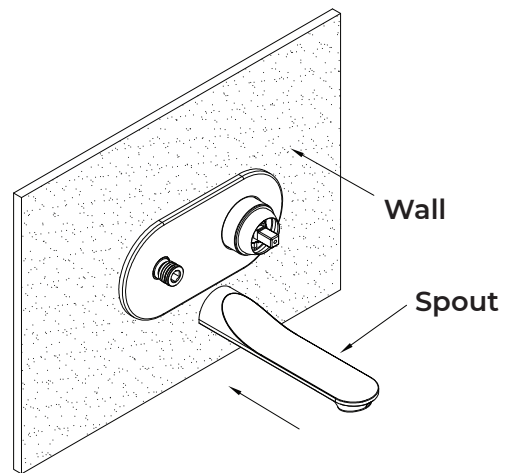


4. Put on the chrome front (masking) plate.

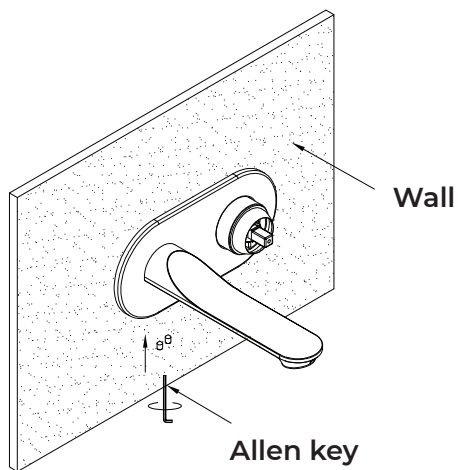
Note! The drawings are for illustration and instruction purpose only. The appearance of the tap may be different from that seen in the drawings.



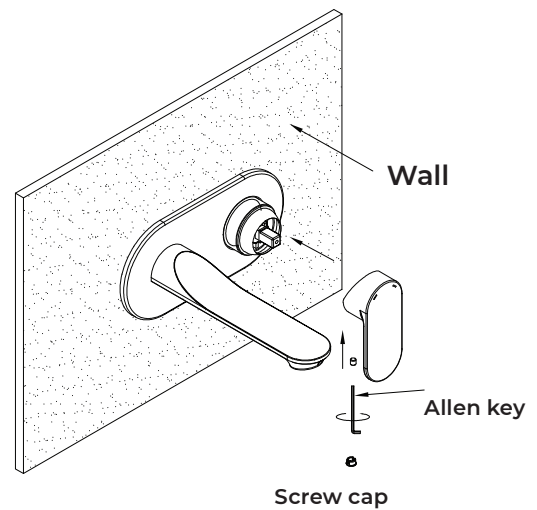
5. Cover the spout connector with a sealant and place it in the concealed part of the tap. Tighten with a wrench.



6. Connect the spout to the connector.



7. Fit the spout using an Allen key and screws.



8. Install the handle on the shaft of the concealed part of the tap using screws and a hexagonal key. Next, put on the cap on the screw.

Technical information

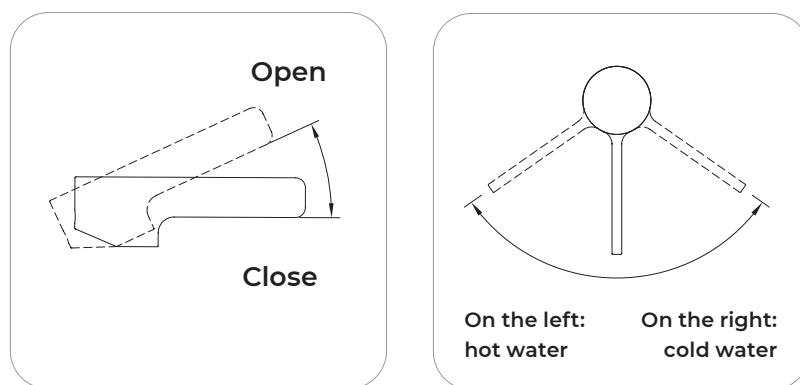
Maximum pressure **1 MPa**

Recommended pressure **0,1 - 0,5 MPa**

Maximum temperature of hot water **90°C**

Recommended temperature of hot water **65°C**

Check whether the installation of hot and cold water was done correctly.



Operation

To start the water flow and fluently adjust its rate, turn the handle vertically upwards. To increase water temperature, turn the handle left, and to reduce – turn the handle right. Positioning the handle on the extreme left results in the flow of hot water only, while placing it on the extreme right – the flow of cold water only.

Care and maintenance

Flush with clean water and wipe with a dry, soft cloth.

For heavier deposits, it is recommended to use special tap cleaning agents, preferably professional Oltens products from the NanoCare and NanoShine series.

Never use agents containing alcohol, disinfectants, solvents and strong bases.

Never clean the surface of the tap with rough cloths or cleaning agents containing abrasive materials and acids..

